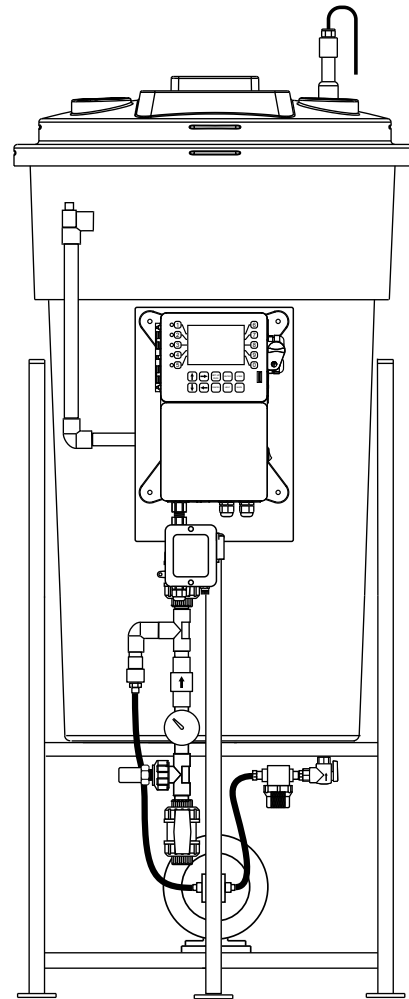


Digital Glycol Feeder

***For Closed
Loop Systems
Now With
MegaTron XS
Controller Options***



Key Features

- Digitally Displayed Pressure
- Simple Set Point Control
- Low Level Pump Cut Off
- Audible Alarm
- High Flow Feed Pump
- Preplumbed and Prewired
- ETL Approved (XS models)
- 3mil Powdercoated Steel Frame
- Multi System
- Optional BMS Interface

Application

Our glycol feeders maintain a consistent pressure in closed loop systems automatically feeding based on a pressure drop.

Digitally displays the actual pressure of the loop and has a user settable control point for pump activation and pressure relief.

The feeder is constructed on a rugged 3mil powdercoated steel frame with a polyethylene tank, high flow feed pump, prewired controller, low level cut-off, audible alarm, motor starter/high amp relay and preplumbed piping assembly with pressure gauge, pressure transducer, back check and relief valve.

Optional: Dry contact output for low tank level and pump on, plus BACnet and ModBus compatibility.

BUILD A MODEL

GF - 1 A 1 A 1 G - C1

TANK SELECTION

- 0 = No tank
- 1 = 55 gal (208L) poly
- 2 = 100 gal (378L) poly
- 3 = 30 gal (113L) poly
- 5 = 5 gal (18L) no stand, 30 gpd pump only
- 7 = 150 gallon poly (567L)

STAND SELECTION

- A = Painted steel stand
- B = Painted steel stand w/ mixer bracket
- C = Tank top mount (no tank included)
- D = Portable stand with built in rollers
- E = No stand (for 5 gal tanks)

PUMP SELECTION

- *Dual pump sys. require 2 pump selections (i.e., -11)
- 0 = No pump
 - 1 = 1.5 gpm at 100 PSI; 1/3 hp
 - 2 = 3.3 gpm at 100 PSI; 1/2 hp
 - 3 = 6.1 gpm at 60 PSI; 1/3 hp
 - 4 = 9.9 gpm at 60 PSI; 1/2 hp
 - 5 = 30 gpd at 100 PSI; solenoid driven

PUMP CONFIGURATION

- A = Standard configuration
- B = Alternating pumps for single loops (requires 2 pump selections)
- C = Pump plumbed for transfer duty into tank

LOOP SELECTION

- *Dual loop sys. require 2 loop selections (i.e., -11)
- 0 = No loop
 - 1 = Sch 80 PVC loop; 100 PSI max; 100°F max
 - 2 = Copper loop; 100 PSI max; 180°F max
 - 3 = Carbon steel loop; 100 PSI max

CONTROL SELECTION

- A = Digital controller w/ 0-100 PSI 4-20mA output sensor
- C = Analog 5-20 PSI switch for 5 gal tank w/ 30 GPD pump
- E = Manual pump control; no pressure switch or level wand
- G = Pre-configured ETL listed XS Series controller prewired for a single pump system.
- H = Pre-configured ETL listed XS Series controller prewired for a dual pump system.

OPTIONS

- 1 = 240V
- 3 = Solenoid valve for pressure relief
- 5 = Position backcheck to use tank for expansion
- C1 = Communications card **Internet** *
- C11 = Communications card **Modbus** *
- C12 = Communications card **BacNet** *
- G = PUMP ON - dry contact relay
- H = 1/4" PVC pipe instead of pump suction tubing
- M = Mixer controls (order mixer separate)
- O4= Four 4-20mA outputs *

* Options C1, C11, C12, O4 require control option G or H.

Specifications

Electrical

- Input 120 VAC, 60 Hz
- Alarm Dry Contact
- Motor: 1/3 HP Pump: 1.5 GPM

Plumbing

- Standard Schedule 80 PVC
- Optional Copper or Black Iron

Enclosure

Heavy Duty NEMA 4X style, high impact thermoplastic with padlockable gasketed Lexan viewing door

Pressure Gauge 0-100 psi (0-6.9 bar)

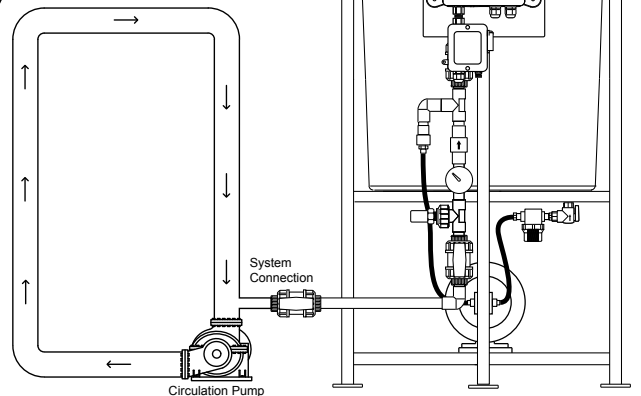
Dimensions

W 27.5" (69.8 cm)
H 64" (162.5 cm)
D 31.5" (80 cm)

Shipping Weight

330 lbs (149.69 kg) approx.

Most units include poly tank and stand, low level switch with audible alarm (100db), motor starter / high amp relay, dry contact alarm, pressure relief valve and plumbing assembly with pressure gauge and sensor.



Get the Advantage



4700 Harold Abitz Dr
Muskogee, OK 74403
800-743-7431 phone
888-686-6212 fax
www.advantagecontrols.com